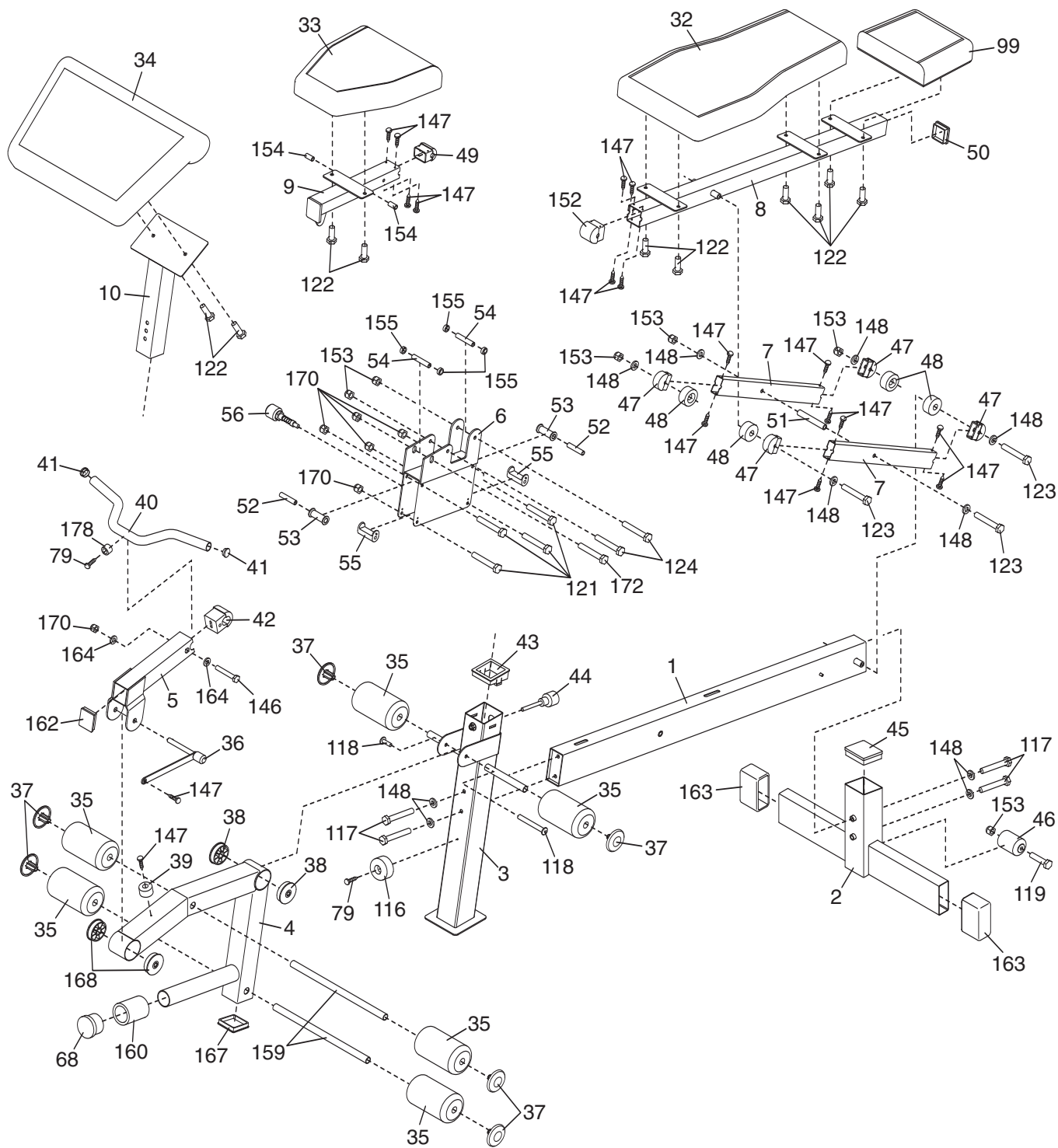


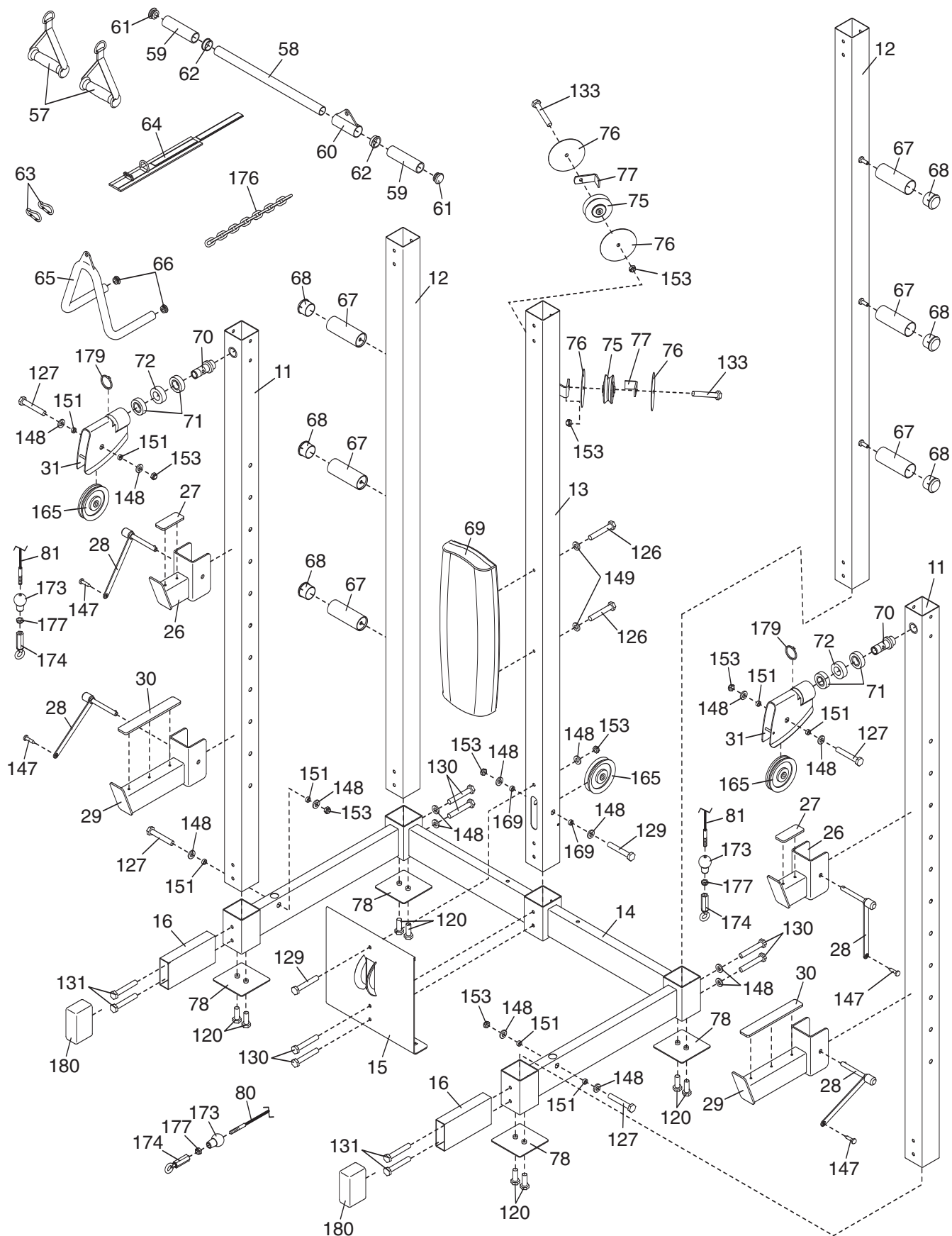
EXPLODED DRAWING A—Model No. GGBE8057.0

R0607A



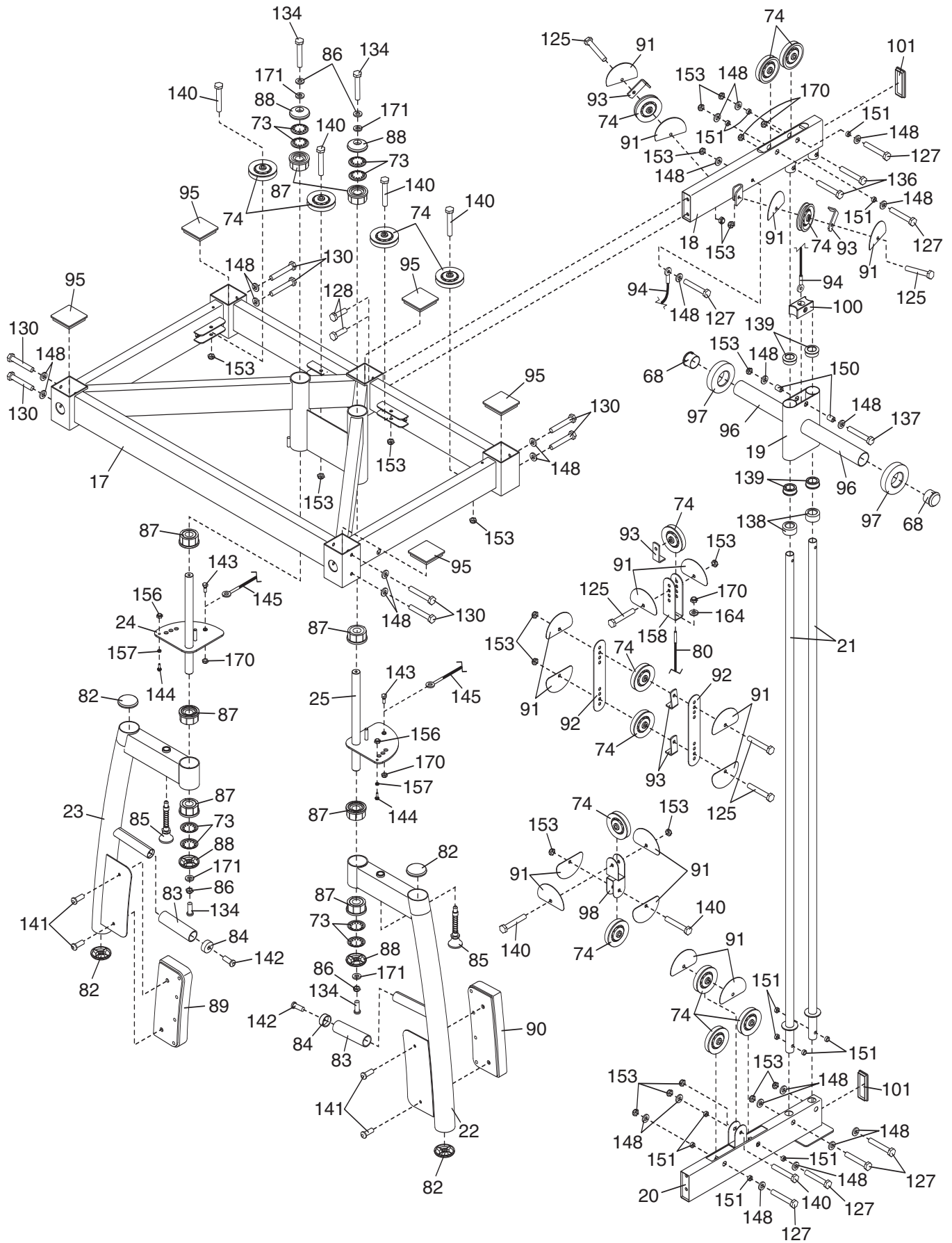
EXPLODED DRAWING B—Model No. GGBE8057.0

R0607A



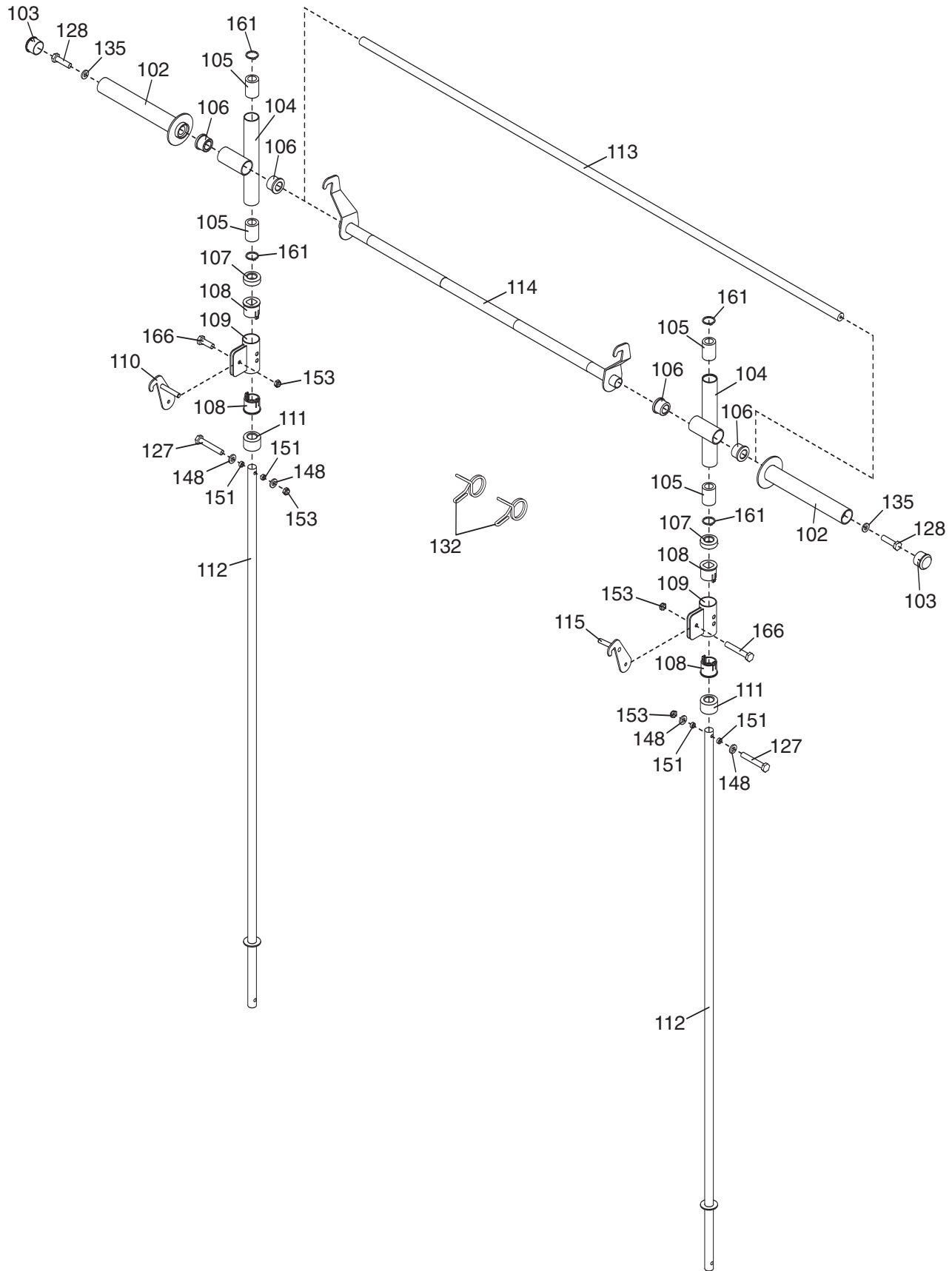
EXPLODED DRAWING C—Model No. GGBE8057.0

R0607A



EXPLODED DRAWING D—Model No. GGBE8057.0

R0607A



PART LIST—Model No. GGBE8057.0

R0607A

Key No.	Qty.	Description	Key No.	Qty.	Description
1	1	Bench Frame	51	1	Backrest Support Spacer
2	1	Rear Leg	52	2	Roller Spacer
3	1	Front Leg	53	2	Seat Carriage Roller
4	1	Leg Lever	54	2	13mm x 63mm Spacer
5	1	Curl Bar Frame	55	2	Seat Carriage Bushing
6	1	Seat Carriage	56	1	Seat Knob
7	2	Backrest Support	57	2	Pulley Handle
8	1	Backrest Frame	58	1	Lat Bar
9	1	Seat Frame	59	2	Lat Bar Handgrip
10	1	Curl Post	60	1	Lat Bar Connector
11	2	Front Upright	61	2	38mm Round Inner Cap
12	2	Rear Upright	62	2	Lat Bar Insert
13	1	Center Upright	63	2	Cable Clip
14	1	Base	64	1	Ankle Strap
15	1	Foot Plate	65	1	Row Bar
16	2	Base Foot	66	2	25mm Round Inner Cap
17	1	Top Frame	67	6	Weight Storage Tube
18	1	Weight Carriage Frame	68	9	48mm x 2mm Round Inner Cap
19	1	Weight Carriage	69	1	Butterfly Backrest
20	1	Weight Carriage Base	70	2	Trunnion
21	2	Weight Carriage Guide	71	4	Swivel Bracket Bearing
22	1	Left Arm	72	2	Swivel Bracket Spacer
23	1	Right Arm	73	8	Bracket Retainer
24	1	Right Adjustment Bracket	74	16	Small Pulley
25	1	Left Adjustment Bracket	75	2	“V”-pulley
26	2	Weight Rest	76	4	Full Pulley Guard
27	2	Weight Rest Pad	77	2	Large Cable Trap
28	4	Upright Pin/Tether	78	4	Floor Guard
29	2	Weight Spotter	79	2	M4 x 30mm Self-tapping Screw
30	2	Weight Spotter Pad	80	1	Low Cable
31	2	Swivel Bracket	81	1	High Cable
32	1	Backrest	82	4	63.5mm Round Inner Cap
33	1	Seat	83	2	Arm Handgrip
34	1	Curl Pad	84	2	Arm Handgrip Cap
35	6	Foam Pad	85	2	Arm Knob
36	1	Curl Bar Pin/Tether	86	4	M10 Lock Washer
37	6	Pad Cap	87	8	Butterfly Bushing
38	2	Leg Lever Bushing	88	4	Bushing Cap
39	1	Leg Lever Bumper	89	1	Right Arm Pad
40	1	Curl Bar	90	1	Left Arm Pad
41	2	25mm x 2mm Round Inner Cap	91	16	Half Pulley Guard
42	1	50mm x 1.5mm Connecting Cap	92	2	Pulley Plate
43	1	75mm x 2mm Square Cap	93	5	Small Cable Trap
44	1	Post Knob	94	1	Rear Cable
45	1	75mm x 2mm Square Inner Cap	95	5	75mm Square Inner Cap
46	1	Transport Wheel	96	2	Weight Carriage Tube
47	4	50mm x 25mm Connecting Cap	97	2	Weight Bumper
48	4	Backrest Bushing	98	1	Double “U”-bracket
49	1	38mm x 50mm Connecting Cap	99	1	Headrest
50	1	50mm x 2mm Square Inner Cap	100	1	Weight Carriage Block

PART LIST—Model No. GGBE8057.0

R0607A

Key No.	Qty.	Description	Key No.	Qty.	Description
101	2	38mm x 100mm Inner Cap	143	2	M8 x 22mm Shoulder Bolt
102	2	Barbell Adapter	144	2	M6 x 15mm Bolt
103	2	48mm x 3mm Round Inner Cap	145	1	Arm Cable
104	2	Barbell Carriage	146	1	M8 x 65mm Bolt
105	4	Bar Slide Bushing	147	22	M4 x 16mm Self-tapping Screw
106	4	Barbell Bushing	148	53	M10 Washer
107	2	Barbell Bumper	149	2	M6 Washer
108	4	38mm Barbell Spotter Bushing	150	2	M10 x 20mm Spacer
109	2	Barbell Spotter	151	24	M10 x 6.5mm Spacer
110	1	Right Spotter Hook	152	1	50mm Connecting Cap
111	2	Barbell Spotter Bumper	153	38	M10 Nylon Locknut
112	2	Barbell Guide	154	2	13mm x 15mm Spacer
113	1	Barbell	155	4	19mm x 6mm Spacer
114	1	Locking Bar	156	2	M6 Nylon Locknut
115	1	Left Spotter Hook	157	2	Adjustment Bracket Bushing
116	1	Front Leg Bumper	158	1	“U”-bracket
117	4	M10 x 100mm Screw	159	2	Pad Tube
118	1	M10 x 83mm Bolt Set	160	1	Weight Spacer
119	1	M10 x 95mm Bolt	161	4	Barbell Spotter Retainer
120	8	M4 x 20mm Self-tapping Screw	162	1	50mm x 1.5mm Square Inner Cap
121	4	M8 x 75mm Bolt	163	2	38mm x 100mm Outer Cap
122	10	M6 x 20mm Screw	164	3	M8 Washer
123	3	M10 x 165mm Bolt	165	3	Large Pulley
124	2	M10 x 90mm Bolt	166	2	M10 x 25mm Bolt
125	5	M10 x 48mm Bolt	167	1	63.5mm Square Inner Cap
126	2	M6 x 90mm Screw	168	2	Curl Yoke Bushing
127	13	M10 x 55mm Bolt	169	2	M10 x 25mm Spacer
128	4	M10 x 25mm Screw	170	11	M8 Nylon Locknut
129	2	M10 x 93mm Bolt	171	4	M10 Large Washer
130	14	M10 x 110mm Screw	172	1	M8 x 90mm Bolt
131	4	M10 x 155mm Screw	173	3	Cable Stop
132	2	Weight Clip	174	3	Cable Eyelet
133	2	M10 x 60mm Bolt	175	1	Cabling Rod
134	4	M10 x 30mm Screw	176	1	Chain
135	2	Large Washer	177	3	M8 Jam Nut
136	2	M8 x 40mm Bolt	178	1	Curl Bar Spacer
137	1	M10 x 65mm Bolt	179	2	Spring Retainer
138	2	Weight Carriage Bumper	180	2	38mm x 100mm Large Outer Cap
139	4	Weight Carriage Bushing	*	-	User’s Manual
140	7	M10 x 45mm Bolt	*	-	Exercise Guide
141	4	M6 x 16mm Screw	*	-	Grease Packet
142	2	M6 x 20mm Chamfer Screw	*	-	Hex Key

Note: Specifications are subject to change without notice. See the back cover of this manual for information about ordering replacement parts. *These parts are not illustrated.